

# Holland Snap Frame

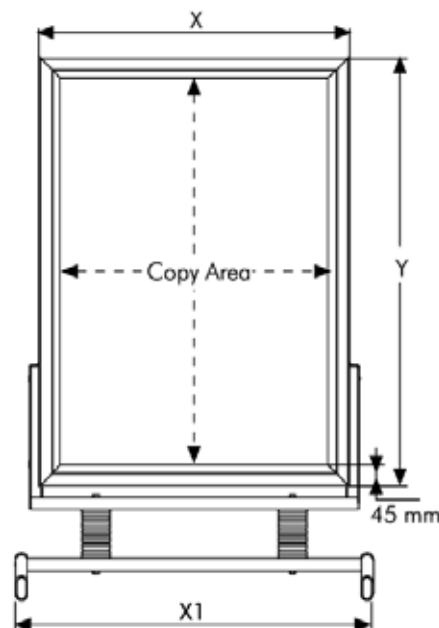
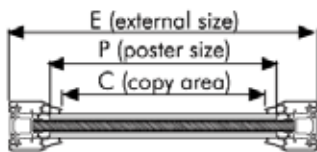
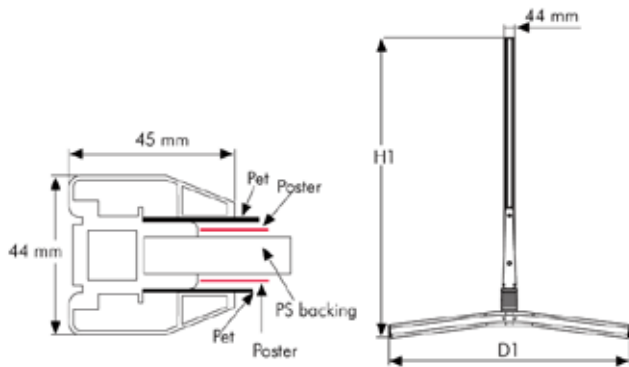
WWW.HOLLANDSNAPFRAME.COM

De Wel 12a  
3871 MV Hoevelaken, The Netherlands  
Tel.: 0031 (0)33 - 25 81 179  
Fax: 0031 (0)33 - 25 30 640  
Email: info@hollandsnapframe  
Site: www.hollandsnapframe.com

## PRODUCT INFORMATION WINDMASTER SPRING MOUNTED

Articlenumber	<b>UASM000NB2</b>
DIN	<b>B2</b>
External dimension	<b>572 x 772 mm</b>
Postersize	<b>500 x 700 mm</b>
Poster visible size	<b>482 x 682 mm</b>
Height	<b>1010 mm</b>
Structure	<b>Aluminium, silver anodised</b>

Give your special offers that additional eye-catching effect. This unique display board is 100% waterproof. Straight standing display system equipped with snap frames. Being spring mounted allows it to bend with the wind and is available in various sizes. This Windmaster comes standard with a 0.5 mm anti-reflex PVC sheet.



It isn't possible to derive any rights from this information. Sizes can vary. Printer's-, compositor's- and misprint errors reserved.

[www.hollandsnapframe.com](http://www.hollandsnapframe.com)