

Holland Snap Frame

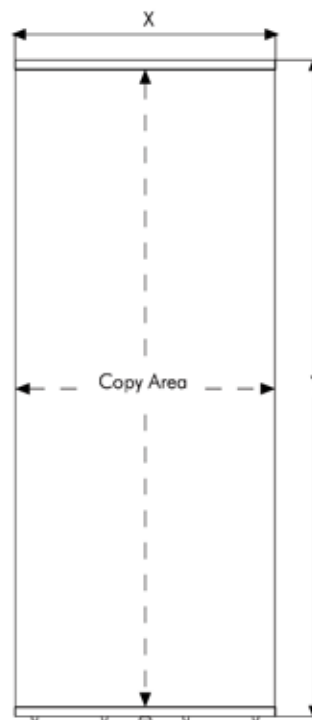
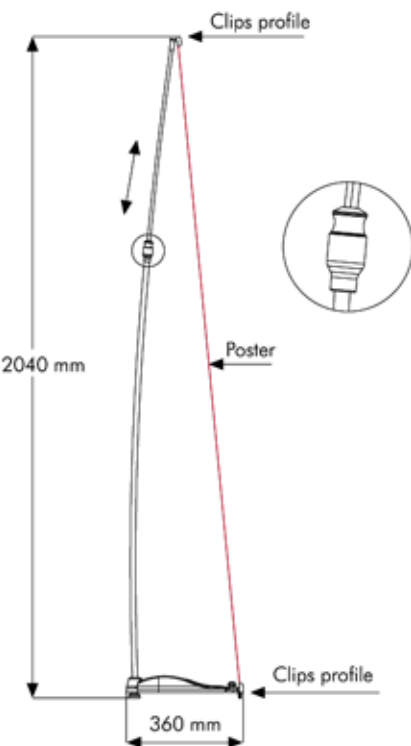
WWW.HOLLANDSNAPFRAME.COM

De Wel 12a
3871 MV Hoevelaken, The Netherlands
Tel.: 0031 (0)33 - 25 81 179
Fax: 0031 (0)33 - 25 30 640
Email: info@hollandsnapframe
Site: www.hollandsnapframe.com

PRODUCT INFORMATION QUICK BANNER ADJUSTABLE

Articlenumber	UQBAT00N82
External dimension	803 x 2030 mm
Postersize	800 x 2000 mm
Poster visible size	800 x 1980 mm
Structure	Aluminium, silver anodised

This quick banner is adjustable for up to 2300 mm, maximum. A nylon carrying bag is supplied as standard. Suitable for all types of banner materials.



It isn't possible to derive any rights from this information. Sizes can vary. Printer's-, compositor's- and misprint errors reserved.