

Holland Snap Frame

WWW.HOLLANDSNAPFRAME.COM

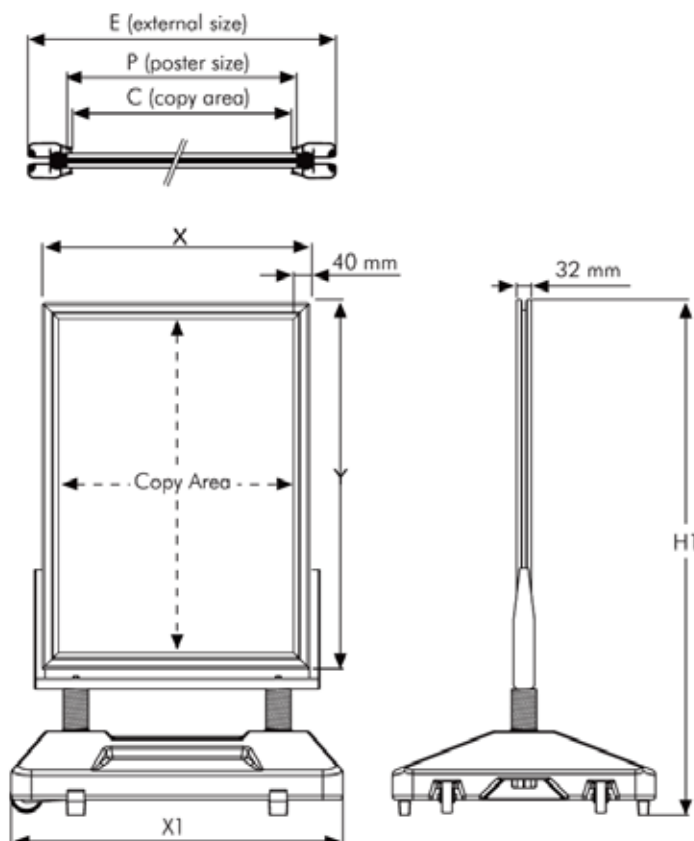
De Wel 12a
3871 MV Hoevelaken, The Netherlands
Tel.: 0031 (0)33 - 25 81 179
Fax: 0031 (0)33 - 25 30 640
Email: info@hollandsnapframe
Site: www.hollandsnapframe.com

PRODUCT INFORMATION ROLLERBASE SWINGMASTER ECO

Articlenumber	UEWM000NA1
DIN	A1
Structure	Silver anodised aluminium
External dimension	666 x 913 mm
Poster size	594 x 841 mm
Visible size	586 x 833 mm
H1	1275 mm
Weight	Approx. 12 kilograms



A robust double sided straight standing system for the display of outdoor advertisements, 100% waterproof. The Swingmaster has snap frames and transparent 0.5 mm PVC sheet. The Swingmaster has round corners made of plastic. Because of the wheels the ECO Swingmaster water base is easy to move.



It isn't possible to derive any rights from this information. Sizes can vary. Printer's-, compositor's- and misprint errors reserved.